

**SERVIBANCO-Model SERV/V-Self-service currency Exchange Teller**

SIGMA's Currency Exchange Terminal Model SERV/V-Multi Denomination Dispenser with rear replenishment is a multi-function ,customer-activated ,self service terminal which meets the needs of Banks and their customers .

The SERV/V is easily installable in street-front (TTW version)thus providing maximum marketing impact whilst at the same time keeping within the overall design of each location. It can be installed street-front in highly transited places (airport,carport,railway stations ,hotels,congress center and supplies an immediate , simple and easy(also to persons phisically disabled thanks to the layout of the various User's interface) "currency exchange"service 24 hours a day.

An important feature of SERV/V is the retraction of dispensed banknotes if the User forgets to take them or if does not collect them withing 30 seconds from when they are dispensed.Retracted banknotes are deposited in the reject cassette of the banknote dispenser.

The 12" TFT LCD color display allows customised,user friendly screen prompts to be displayed for ease of operation and to attract customers.An array of keys are positioned on either side of the monitor for quick selection of displayed choises with touch screen option.

SERV/V is designed to provide maximum flexibility allowing extensive application and is ideally suited for specific banking application and can programmed with the following functionalities:

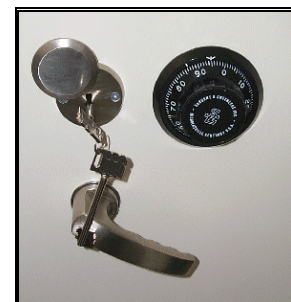
- Currency Exchange Service" 24 hours a day(foreign currency into local currency) for incoming travellers/tourists;
- Inverse Exchange Service "24 hours a day( local currency into foreign currency) for outgoing travellers option;
- Purchase of Foreign Currency Service "24 hours a day( foreign currency into other foreign currencies) option;
- Note Change service (local currency into smaller local notes and coins) option

In addition SERVIBANCO Could be equipped with a SW package which allows monitoring of the machine from a remote station, where all information needed to keep the machine running trouble-free can be visualized.

**Front of SERV/V**  
(Self-service currency exchange teller)



security key and combination locking system to open rear doors



**TECHNICAL DATA**

**Basic Configuration:**

- 12" TFT LCD color display with lexan screen protection and 8 vandal-proof function buttons(4 softkeys at each side of the monitor ,tactile with auditive feedback);
- control panel (for operator diagnostic and maintenance operations)consisting of a simplified 101-key keyboard and 9" VGA monitor;
- Banknote acceptor with or without intermediate escrow,programmable to validate up to 150 denominations in four sense of introduction;
- Banknote dispenser equipped with from 1 to 6 cassettes with either mechanical or electronic locking mechanism,with a capacity of 2000 banknotes and a cassette for banknotes which are not withdrawn by User or are rejected by the dispenser;
- Coin dispenser with from 1 to 3 hoppers;
- Thermal receipt printer with cutter;
- Dot matrix log printer (or thermal option)with rewinder;
- electronic log:all the events connected with the operativity of the terminal are recorded electronically and are made available,on operator requests,through the display of the control panel,printed or downloaded onto a floppy disk;
- UPS(Uninterruptable Power Supply)with back-up batteries to allow the completion of a transaction under way in the vent of power failure;
- Sensor to monitor door opening;
- Pentium IV processor ;
- WINDOWS operating system
- Tamper resistant cabinet with combination lock

**Options:**

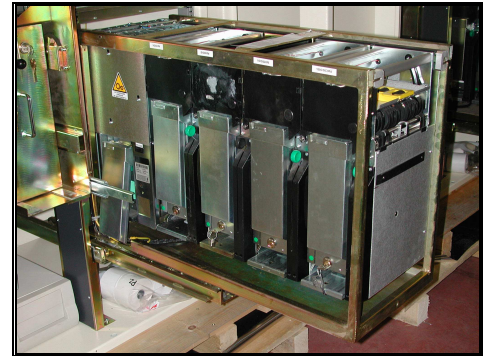
- antirobbery interblock electronic system and time delay mechanism(time lock);
- Remote Diagnostic Program;
- Touch screen

**General Specifications:**

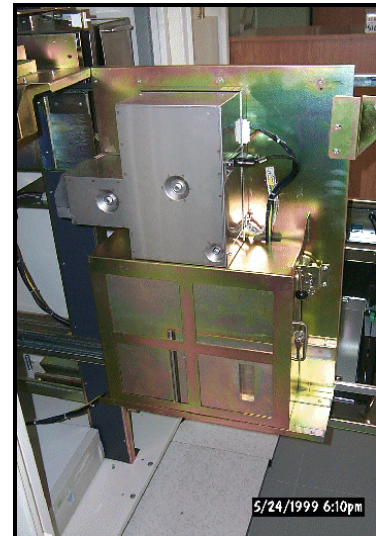
- Dimensions: mm (W950xH1825xD980)
- Weight:about 600 Kgs(with 4 cassettes);
- Electrical characteristics: 110/220 V +/- 10%
- Frequency:50/60 Hertz +/- 5%
- Environmental temperature between: -20°C and + 50°C.

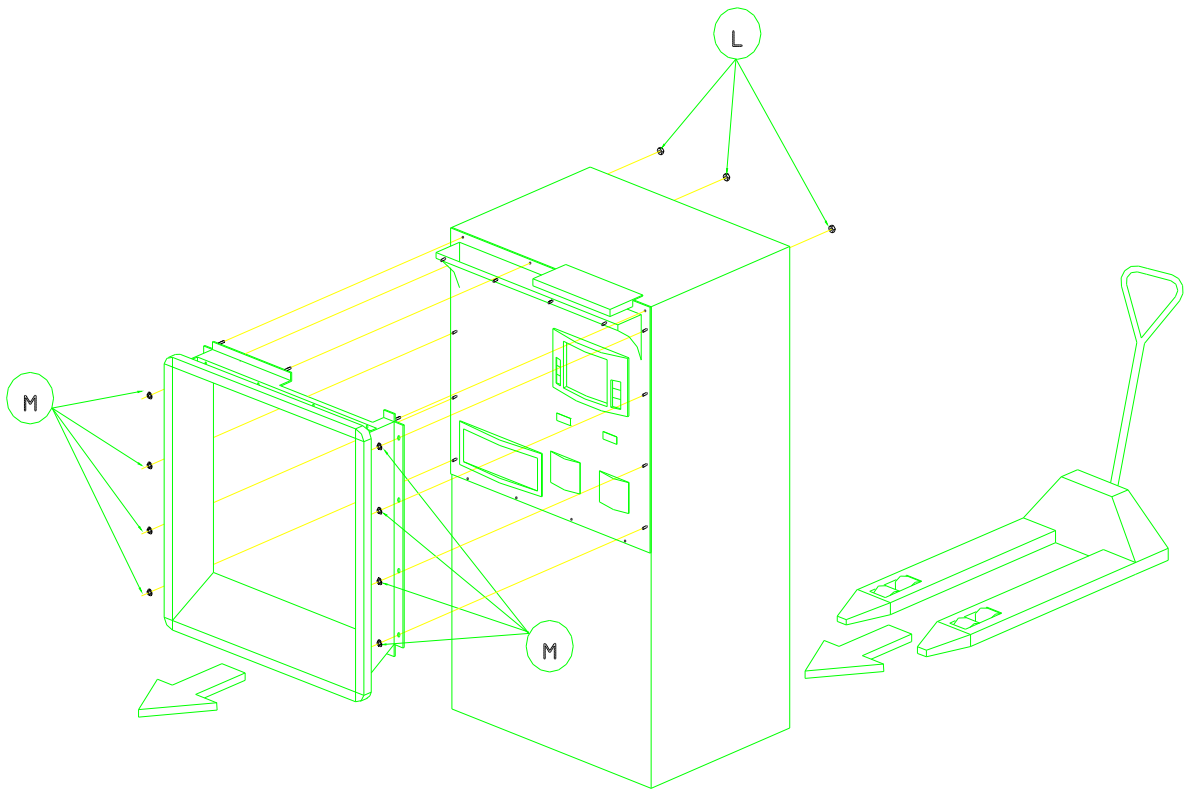
**Internal view**

- N° 3 coin hopper
- Banknote dispenser mechanism(with 4 cassettes but with the possibility to house up-to 6 cassettes max on request)

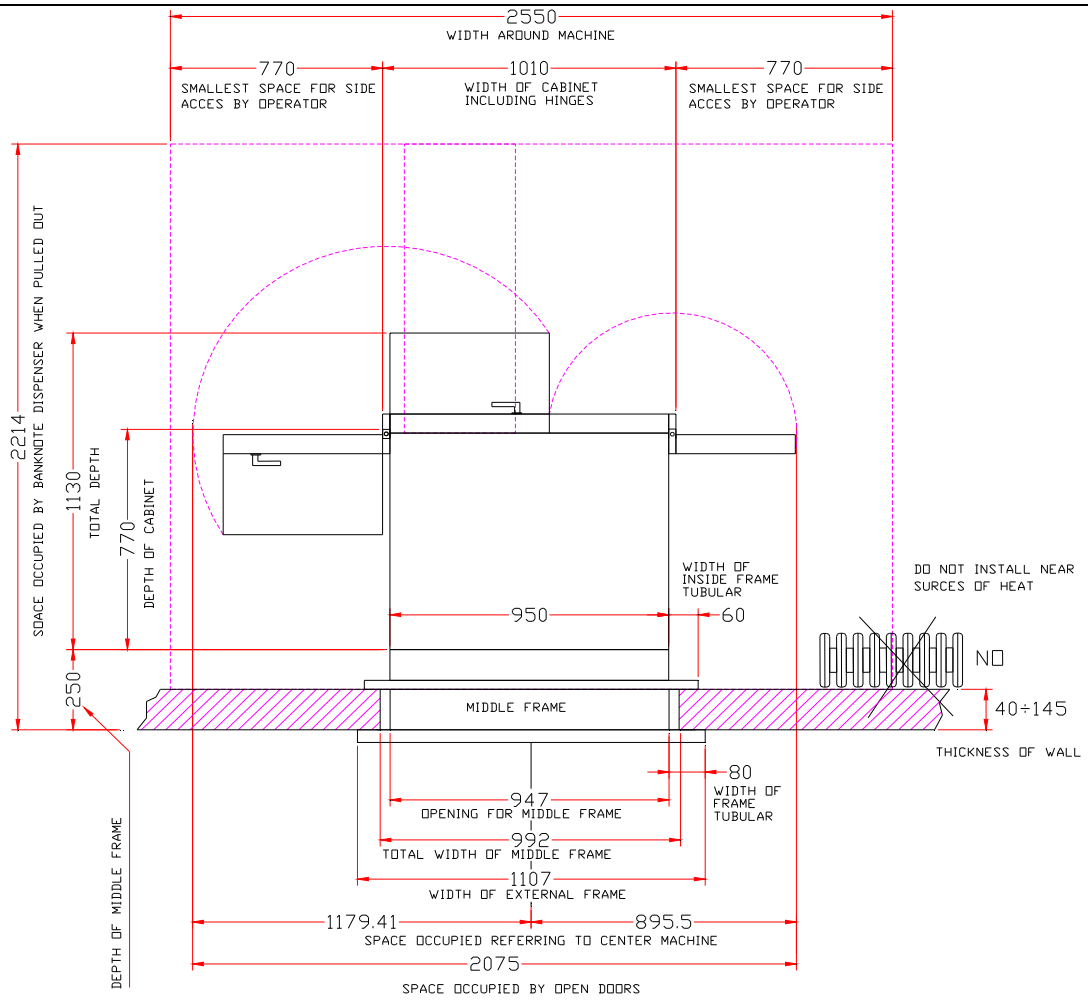


Banknote acceptor mounted on the final cash box





SERV/V-6 cassettes



SERV/V-4 cassettes

