



## SINGLE NOTE BANKNOTE ACCEPTOR

### (a)BANKNOTE TRANSPORT MECHANISM:

To transport the accepted banknotes from the insertion mouthpiece slot into the FINAL ESCROW by means a sophisticated mechanical mechanism.

Inserted banknotes are NOT held in STAND-BY ,they are immediately deposited into the **FINAL CASH BOX** and the exchange is carried out when the Customer presses the "OK"button or automatically when the maximum amount for each exchange transaction(set by the Bank operator)accepted by the machine is reached.

The banknotes can be inserted into the insertion mouthpiece in any of the four banknote positions(maximum feeding rate 1 banknote /2.5s.

The insertion mouthpiece slot has :

- -a note platform for easy insertion of the banknotes;
- -signals operatibility status by green LED and supports the customer by simple engraved pictograms showing how to insert a banknote;

### (b)CASHRAY 90 SENSOR FOR BANKNOTE DETECTION SYSTEMS:

The CASHRAY 90 sensor for banknote detection systems is a module for the detection of banknotes in deposit systems.It quickly and relibly checks the value and authenticity of banknotes .

#### Measurement criteria:

- detection of banknotes authenticity/value by measuring apprx.1300 measurement points across several tracks of the banknote surface;
- measurement of the paper's optical transmission and remission properties and image in red ,green and infrared ,as well as determination of the banknote size
- verification of the high and low retentive magnetism properties,across several tracks of the banknote surface
- UV lighting to trigger fluorescent items,such as brighteners
- Special features for mechnaical authenticity detection

#### Features:

- Banknote sensor for the reliable detection of banknote value and authenticity with short edge measurement
- Processing of up to 10 banknotes per second
- Transport speed of 1.5 to 2.5 meter per second
- Can be adapted to almost every currency worldwide
- Effective protection against counterfeit with quick and targeted adaptations of the reference data and detection software

### (c)DATA MODULE SOFTWARE

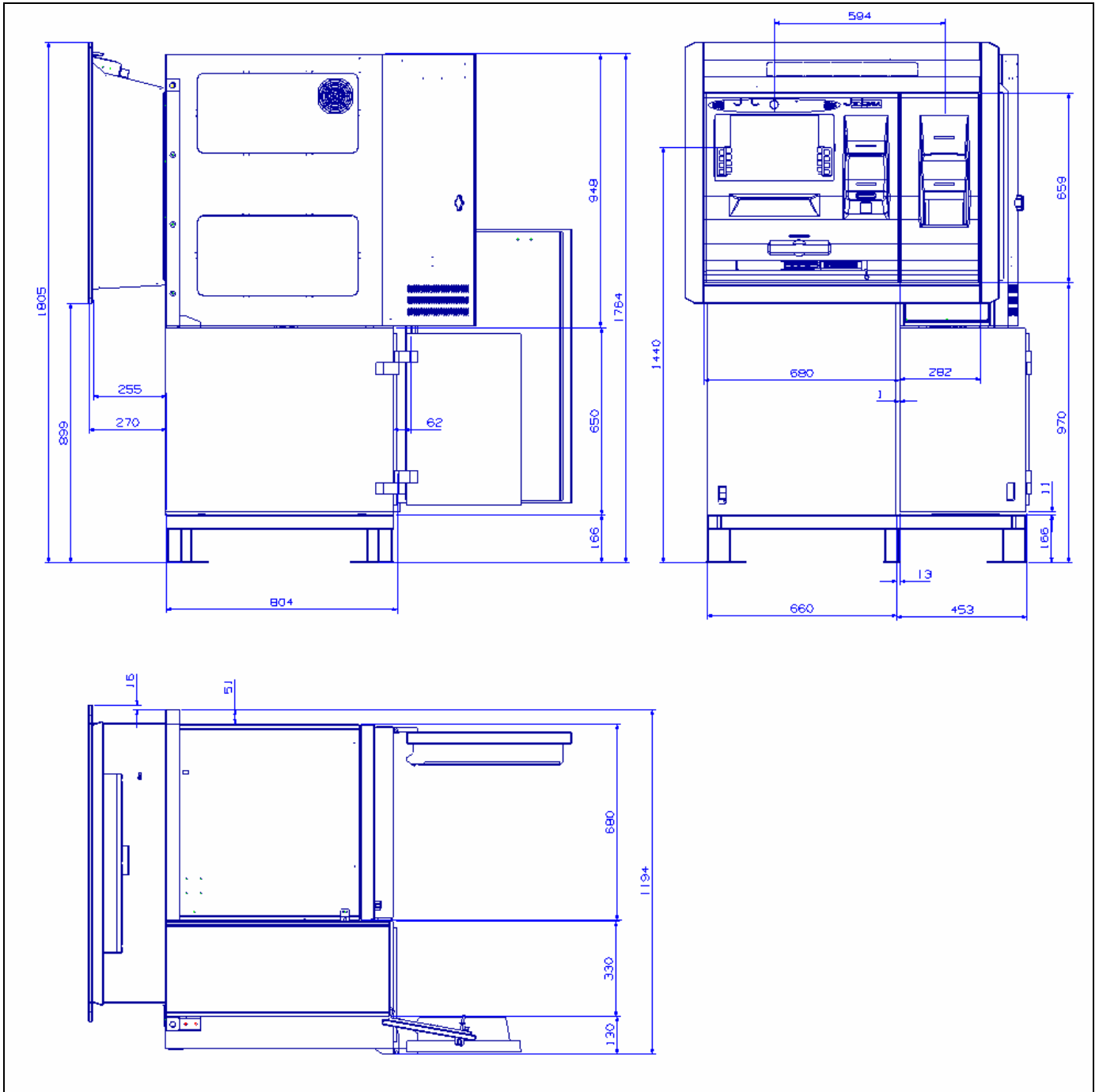
The **DATA MODULE SOFTWARE** can be programmed with 30, 60 ,100,or 150 denominations.The rate of acceptance of authentic banknotes is greater than 99%.Any variation of current banknotes(addition of new denominations)or of the characteristics of paper money(for example new dimensions,different colors,etc)will be possible with updating of the softwre contained in the Data module which can be repalced when a new version is issued.The Data module has the function of supplying the necessary information to the CASH RAY 90 SENSOR for establishing whether the banknote being examined is authentic or not.

### (d)CASHRAY 90 "U" SENSOR FOR BANKNOTE DETECTION SYSTEMS(OPTIONAL):

The **CASHRAY 90 U SENSOR** is a cut above of the CASHRAY 90 SENSOR BASIC  
It has been especially developed for the detection of SUPERDOLLAR COUNTERFEIT



**INSTALLATION DRAWING AND GENERAL LAY OUT OF THE SYSTEM**



Sigma S.p.A. reserves the right to modify the above characteristics and or layout of various peripherals without prior notice. The information stated above are for general guidance only. SIGMA S.p.A. is pleased to give detailed specifications of its Products upon request. As SIGMA's Products and services are continuously being developed it is important for Customers to check that the information contained herein includes the latest particulars.

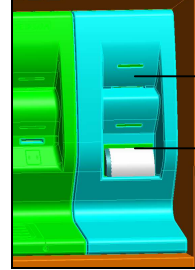
GENERAL LAY OUT OF THE SYSTEM

LEFT SIDE

RIGTH SIDE



Detail of the RIGTH SIDE

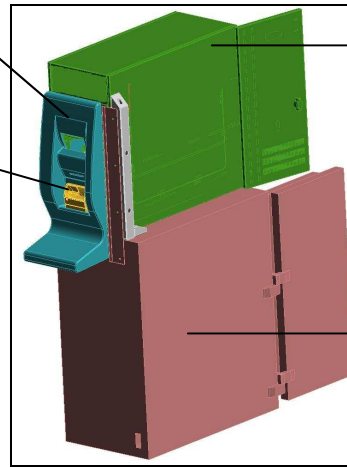


Coin exit slot

Banknote acceptor

Coin exit slot

Banknote acceptor



Steel cabinet

Security safe

Coin  
hoppers(max  
n° 4)

Banknote acceptor

Security safe

